

## Transactions

Deburring  
Polishing  
Radiusing  
Oil Cleaning  
Rust Cleaning  
Antic Oxide  
Descaling  
Cleaning

## Materials Applications

Aluminium  
Iron-Steel  
Copper  
Brass  
Zamak  
Powder Metal  
Gold-Silver  
Lead  
Titanium  
ABS & Polyester  
Rubber  
Acrylic  
Bacalite  
Stainless Steel  
Precision Casting

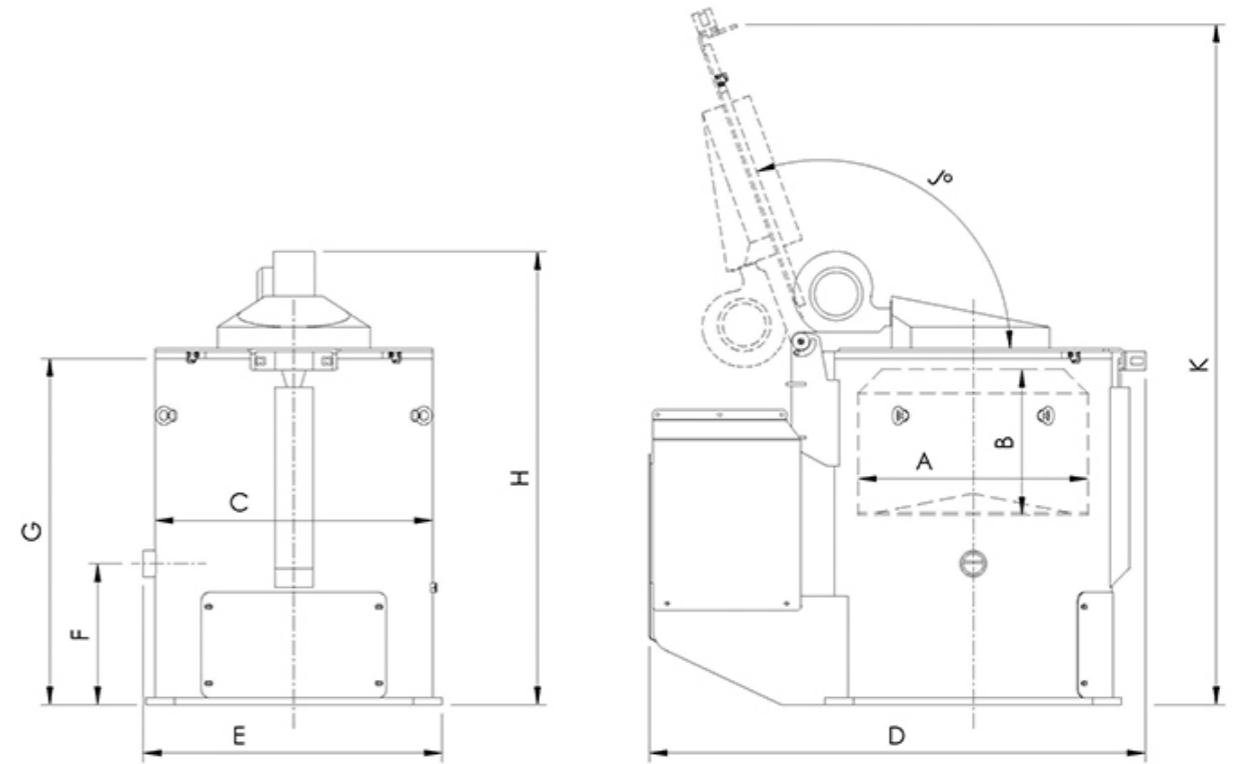
## Applications Areas

Furniture accessory parts  
Sheet metal press parts  
Injection molding, centrifugal, sand, gravity die casting parts  
All kinds of parts machining  
Fitting and valve parts  
Fork, spoon, knife  
Medical and surgical instruments  
Acrylic teeth and other dental parts  
Automotive parts industry  
Aviation and aircraft industry  
Jewelry parts  
Costume jewelry and accessory parts  
Tumbled marble and natural stone



## CENTRIFUGAL DRYING AND DEGREASING MACHINES VKSK-VKYA SERIES

The ideal solution for drying the surface of wet finished parts  
The ideal solution for degreasing the surface of metal and  
nonmetal sawdust.



VKSK series machines can be used for drying process with hot air of small volume wet metal and nonmetal work pieces.  
VKYA series machines can be used for degreasing process of metal and nonmetal sawdust.



**Stainless Steel Basket**



**Heater Element**



**Safety Switch**



**Water or Oil Discharge Valve**



**Electric Control Panel**

**Technical Dimensions**

TYPE	Basket Gross Volume	Basket Usable Volume	Maximum Load	Motor Power	Heater Power	Air Fan Power	Brake Power	Voltage	Operating Speed	Weight
	Lt	Lt	Kg.	kW	W	W	Nm	V / Hz.	rpm	Kg.
VKSK 50	48	28	50	1,5	2000	100	25	380 / 50	625	240
VKYA 50	48	28	50	1,5	-	-	25	380 / 50	625	230

TIP / TYPE	A	B	C	D	E	F	G	H	J	K
VKSK 50	480	300	580	1040	625	300	725	950	110°	1425
VKYA 50	480	300	580	1040	625	300	725	950	110°	1425

All dimensions are millimeters.